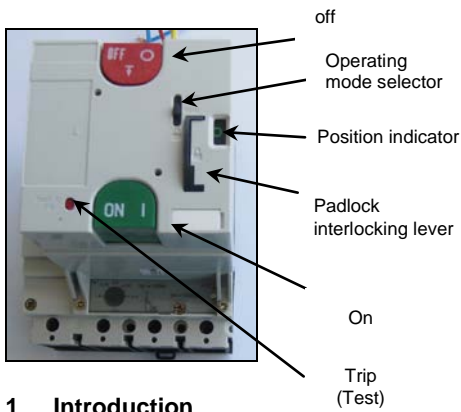


MOTORIZED CIRCUIT BREAKER MT-FDE SERIES



1 Introduction

Circuit breaker with MT-FDE series remote control. Protects against short-circuits and overloads. It is also used as a cut-off element. It includes a NC auxiliary contact (white cables) for terminals 11-12 of the diagram; in the case of WRGMT there is a NO auxiliary contact (green cable) for terminals 21-24 of the diagram.

2 Operation of the MT-FDE

After disconnection due to short-circuit or overload, the circuit breaker may be reclosed.

The reclosing will depend on the position of the operating mode lever:

- “**MAN**” manual reclosing on the breaker itself following the OFF - ON sequence.
- “**AUTO**” manual reclosing by means of an electrical impulse following the OFF - ON sequence.

3 Features of the MT-FDE

- Calibres In (A) : 80, 100, 125, 160
- Rated voltage (Un) 240 V / 415 Vac
- Cut off power 25 kA (IEC 947-2)
- Number of poles 3 / 4
- Disconnection characteristics Curve, according to type
- Frequency 50 / 60 Hz
- Protection IP-40 (DIN 40050)
- Stock temperature -55°C to +55°C
- Operating temperature -25°C to +55°C
- Box colour RAL 7035
- No. operations 10 000 (120 oper./hour)

Motor:

- Rated voltage 230 Vac
- Minimum voltage 210 Vac
- Activation impulse 50 ms
- Deactivation impulse 50 ms

4 Operating mode selector

Auto:

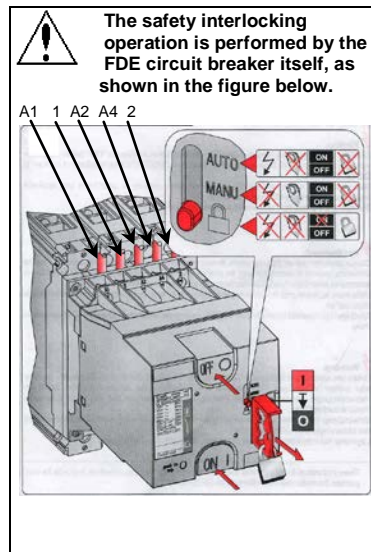
- The switch trips with the circuit breaker.
- Remote reclosing following the OFF - ON sequence.
- The switch cannot be locked with a padlock.

Manual:

- The switch trips with the circuit breaker or test.
- Manual reclosing following the OFF (0) - ON (I) sequence.
- The switch cannot be locked with a padlock.

Interlocking:

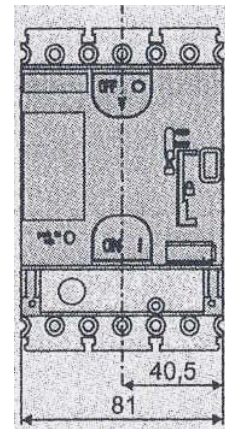
- In order to set the lever in the interlocking position, the switch must be **OFF** (indicator set to “0”). Once in this position, the lever is moved to the position where the padlock can be fitted (Ø 5-8 mm).



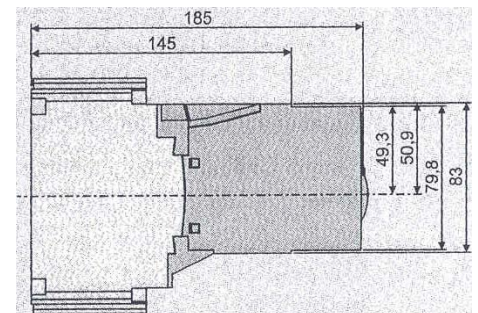
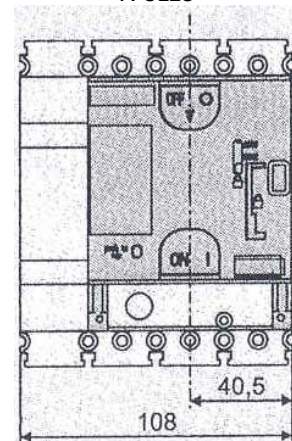
5 Position indicator

- **Position “0”**
The switch is open (manual or remote).
- **Position “I”**
The switch is closed (manual or remote).
- **Position “T”**
The switch is tripped (test or circuit breaker)

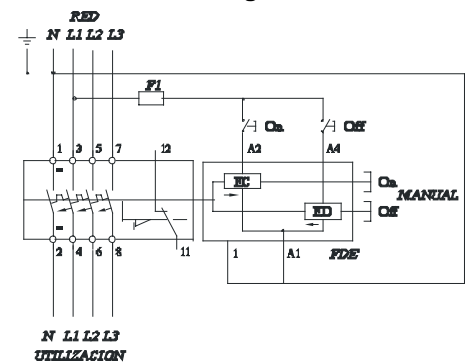
6 Dimensions of the MT-FDE 3 POLES



4 POLES



7 Connection diagram



8 Technical Service

Please contact our technical service for any questions regarding operating the unit or malfunctions:



Vial Sant Jordi, s/n
08232 Viladecavalls
(Barcelona) Spain
Tel. (+34) 93 745 29 00
Fax (+34) 93 745 29 14
e-mail: central@circutor.es
web: www.circutor.com